

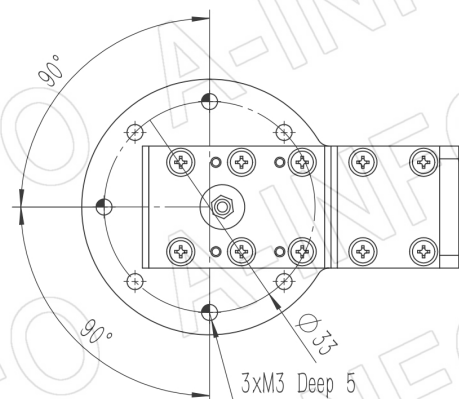
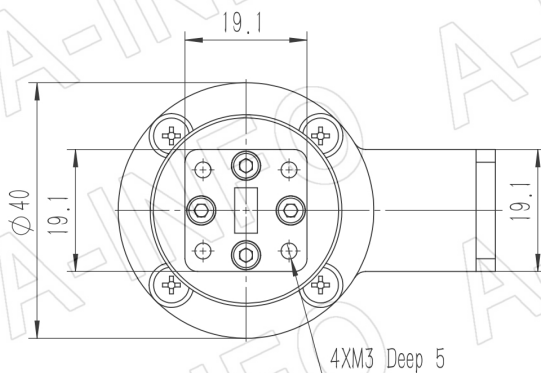
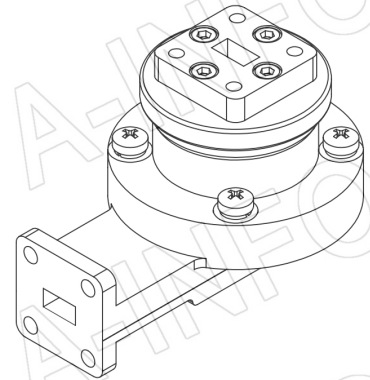
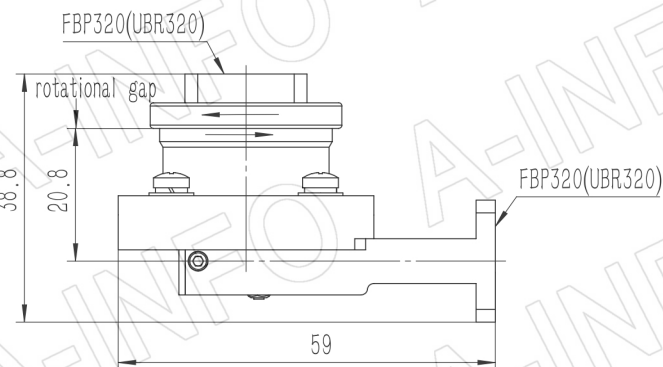
For reference only. See data sheet for the detailed specifications.

Technical Specification

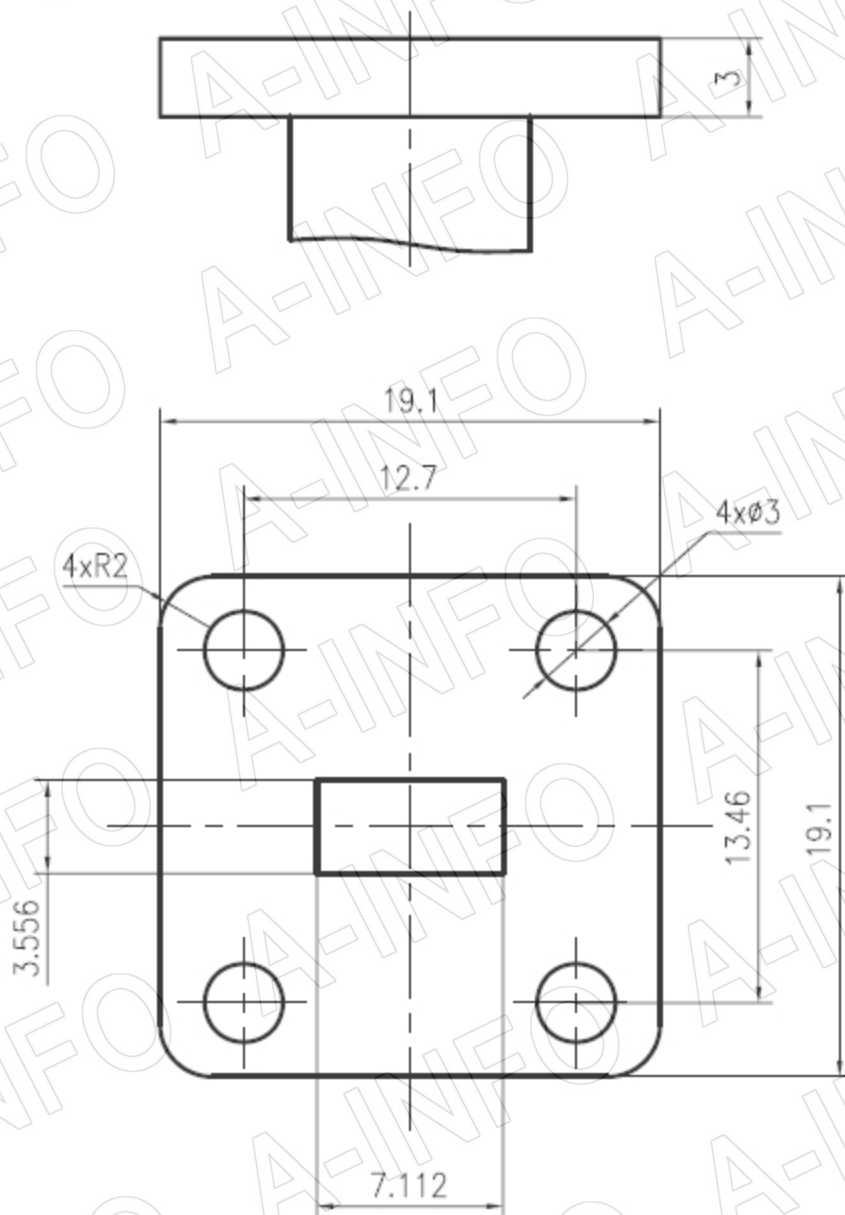


Waveguide	WR28
Frequency Range(GHz)	28.0-30.0
VSWR	1.40:1 Max.
Insertion Loss(dB)	1.0 Max.
Average Power(W)	30
Peak Power(KW)	0.3
Flange	FBP320(UBR320)
Material	Cu
Size(mm)	59 x 40 x 38.8
Net Weight(Kg)	0.18 Around

Outline Drawing (Size: mm)



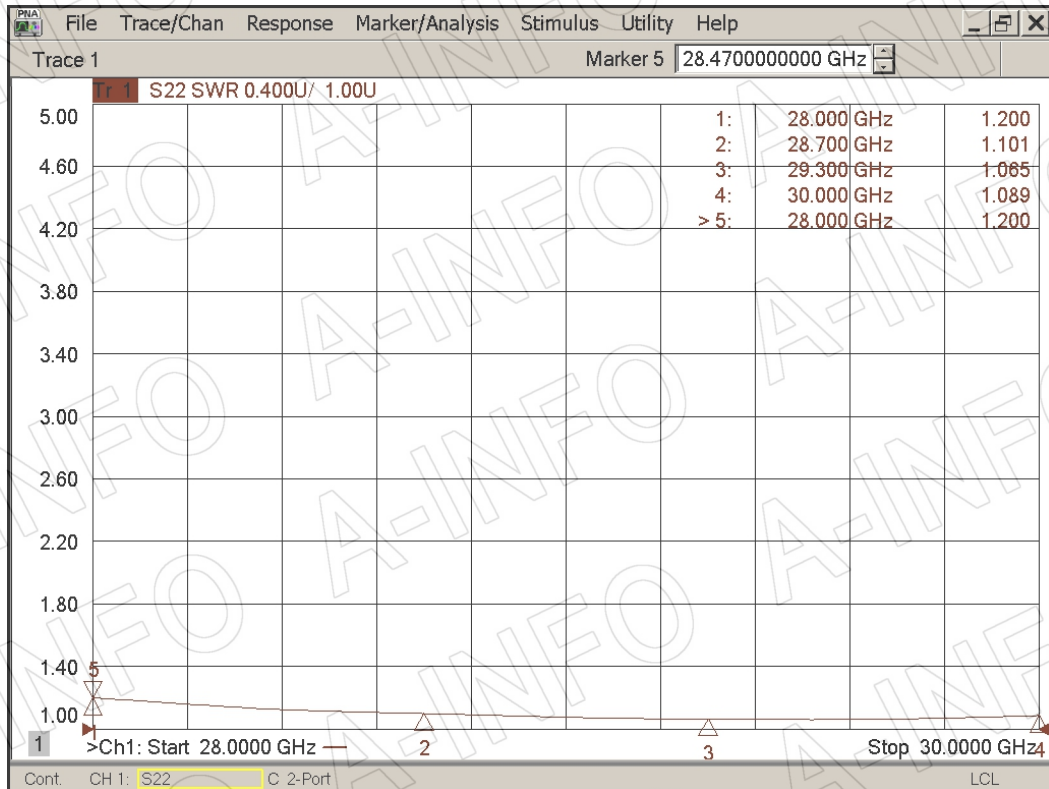
Flange Drawing (Size: mm)



FBP320

Test Results

VSWR



I.L.

